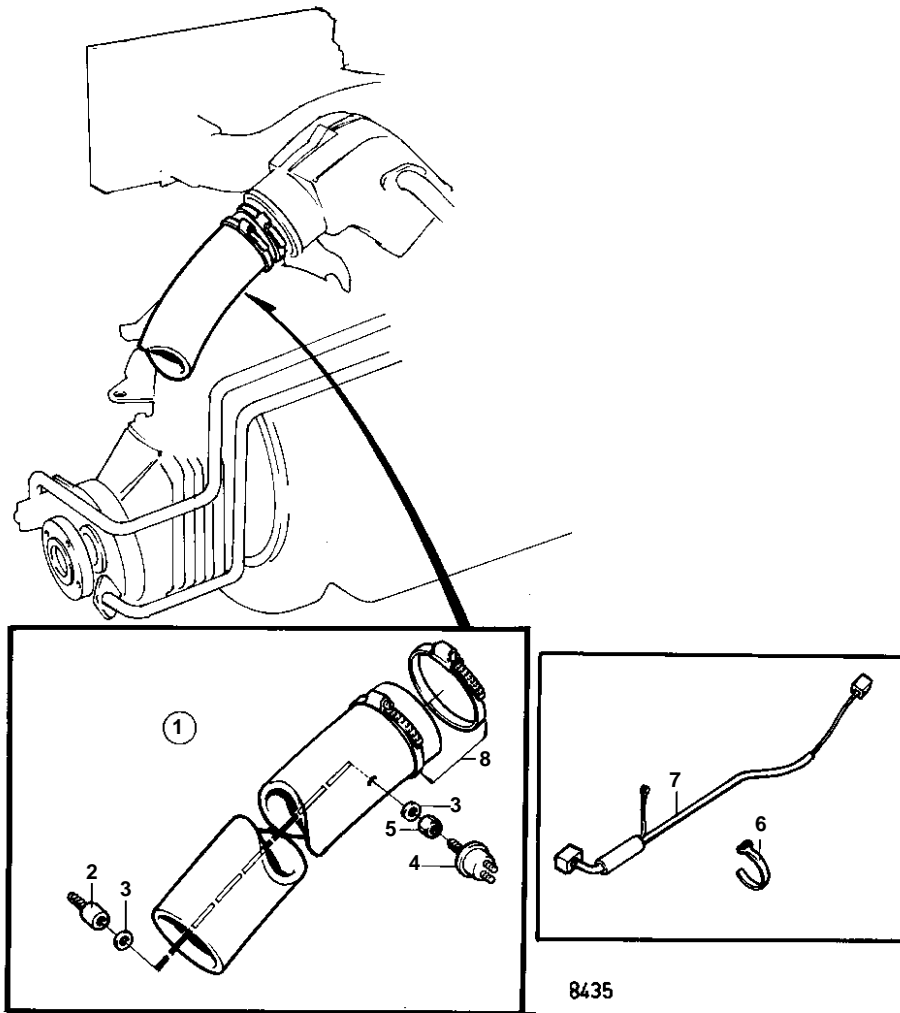


MD40A,TMD40A,TAMD40A



MD40A,TMD40A,TAMD40A

REF	PART NO.	QTY	DESCRIPTION	NOTES
1	828816	1	Exhaust temp kit	
2	828817	1	· Sensor	IK
3	828776	2	· Washer	IK
4	828761	1	· Thermo monitor	
5	828750	1	· Nut	IK
6	948210	3	· Strip clamp	
7	828814	1	· Cable trunk	IK
8		2	HOSE CLAMP	
9		1	HOSE	
			CABLES AND TERMINALS	SEE GROUP 3